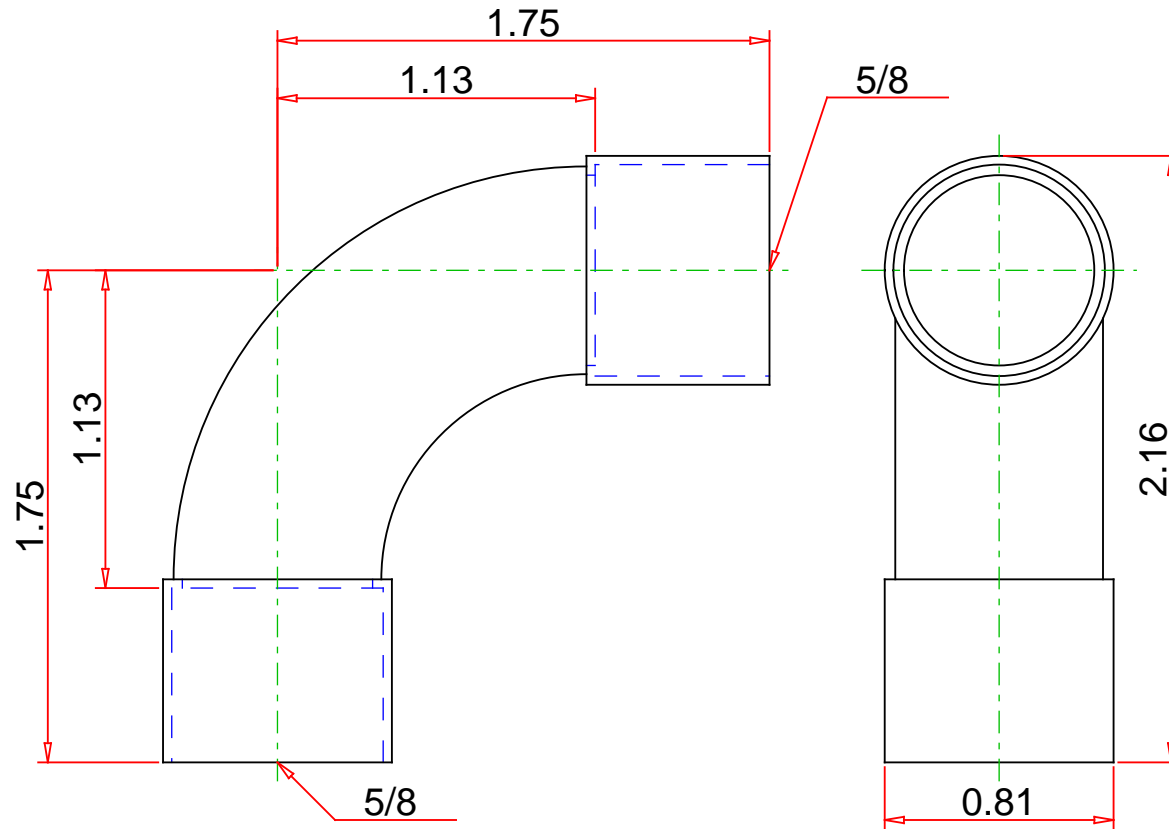
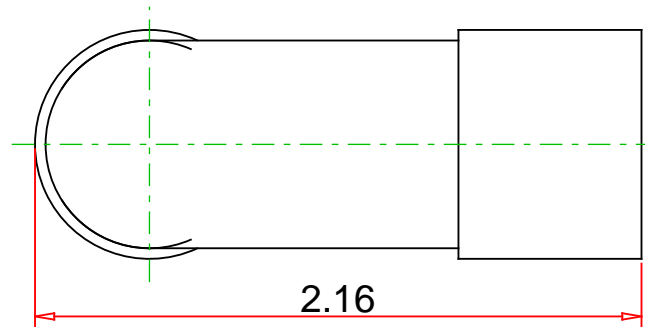


Approvals & Certifications

- Wrot Copper
- UNS C12200
- Conforms to NSF/ANSI 61 Annex G
- Conforms to ASME B16.22



Note : - Drawing not to Scale

DISCLAIMER: DIMENSIONS ARE APPROXIMATE AND ARE SUBJECT TO CHANGE WITHOUT NOTICE. ALL ASME DIMS ARE MINIMUM UNLESS NOTED. LAY LENGTH DIMS ARE  $\pm 0.06$  ALL OTHER DIMS ARE NOMINAL. ALL DIMS ARE IN INCHES.

© 7-JUN-2022 Mueller Industries, Inc.

Part No. :

W 02728

Description :

90° Elbow Long Radius, C x C, 5/8"



Mueller Streamline Co.

Address: 150 Schilling Blvd, Suite 201

Collierville, TN 38017

Phone: 901-751-7709

Email: [marketing@muellerstreamline.com](mailto:marketing@muellerstreamline.com)

Web: <https://www.muellerstreamline.com>